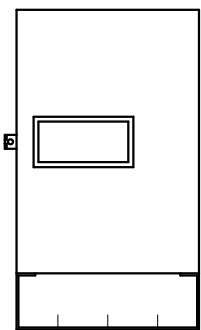
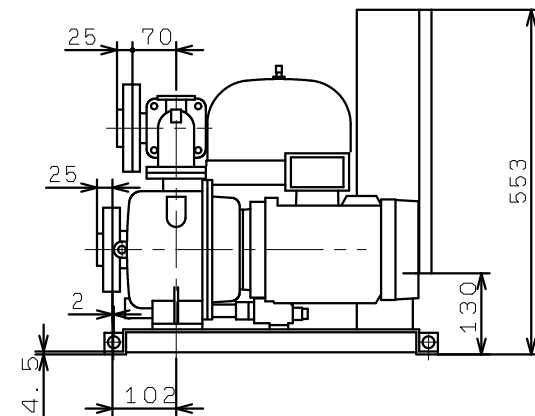
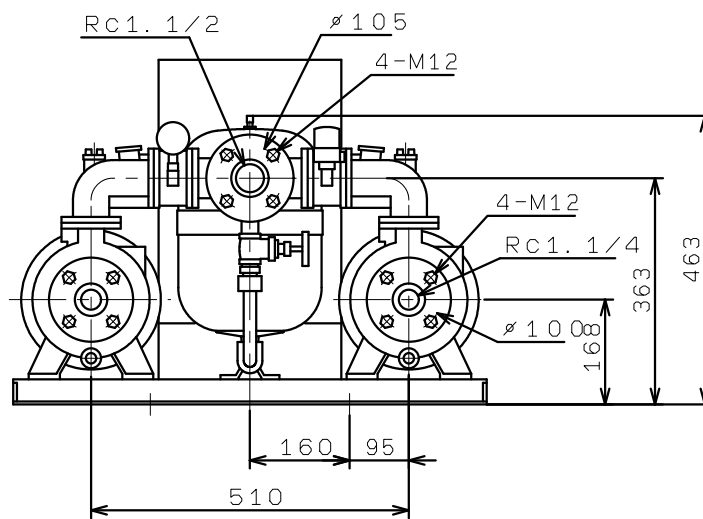
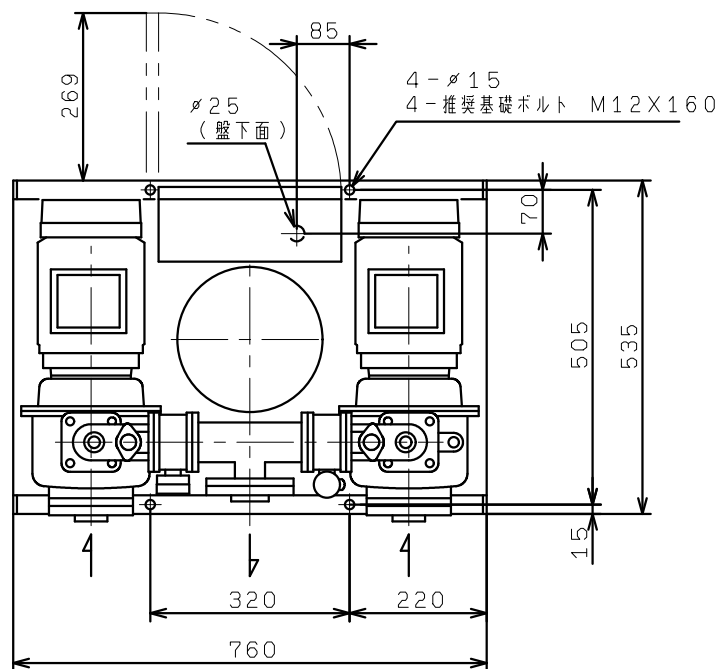


KB2-325LPE1.1  
 KB2-326LPE1.1  
 (VC41, 42, 43, 44, 47)



(制御盤正面図)

