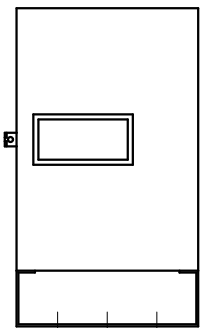
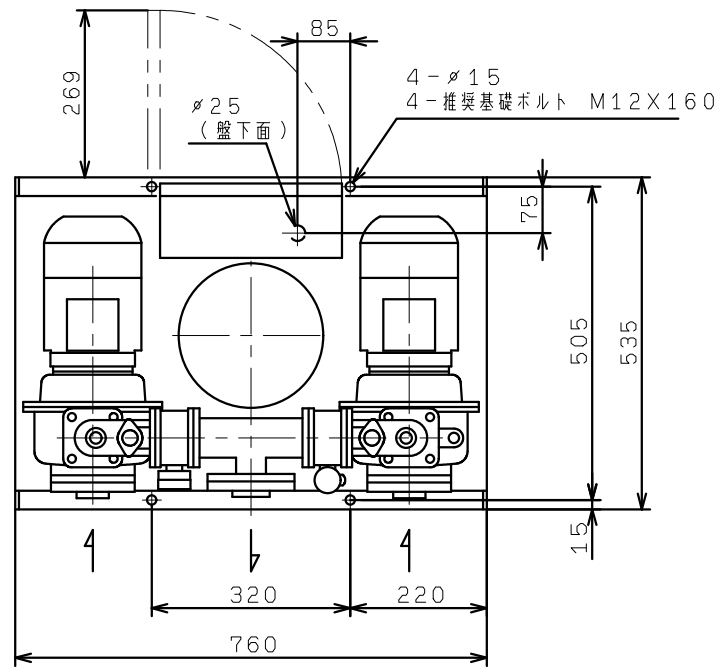


KB2-325PE0.75  
 KB2-326PE0.75  
 (VC41, 42, 43, 44, 47)



(制御盤正面図)

