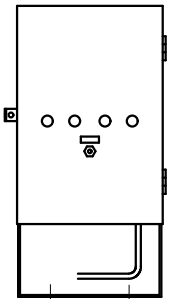
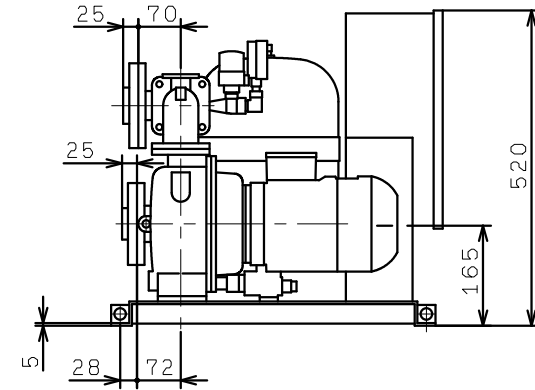
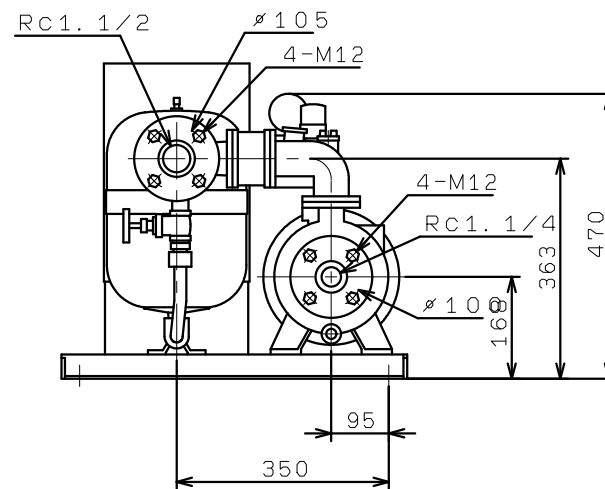
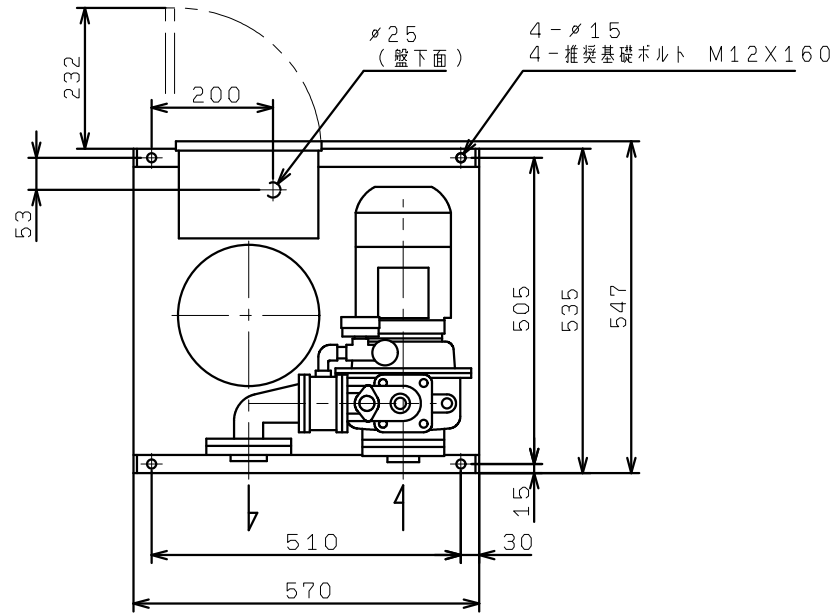


KB2-325SE0.75  
 KB2-326SE0.75  
 (VC41)



(制御盤正面図)

