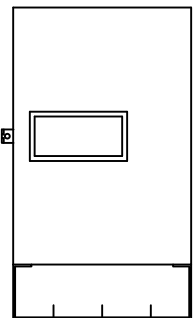
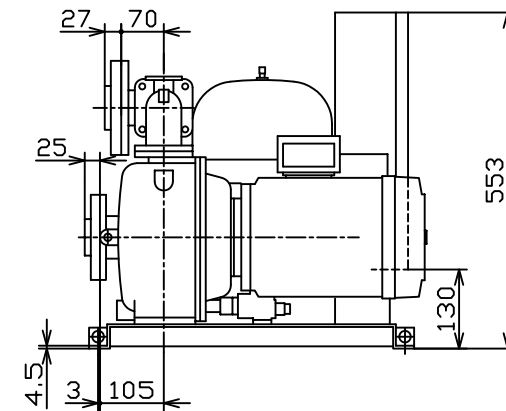
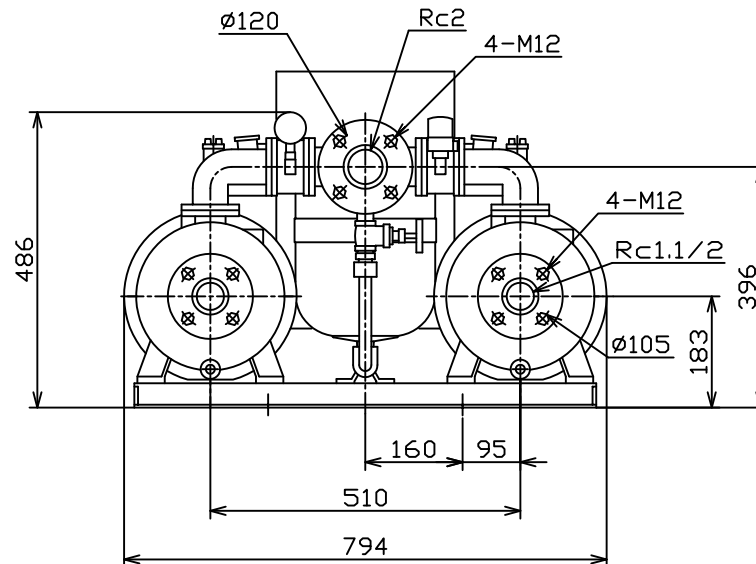
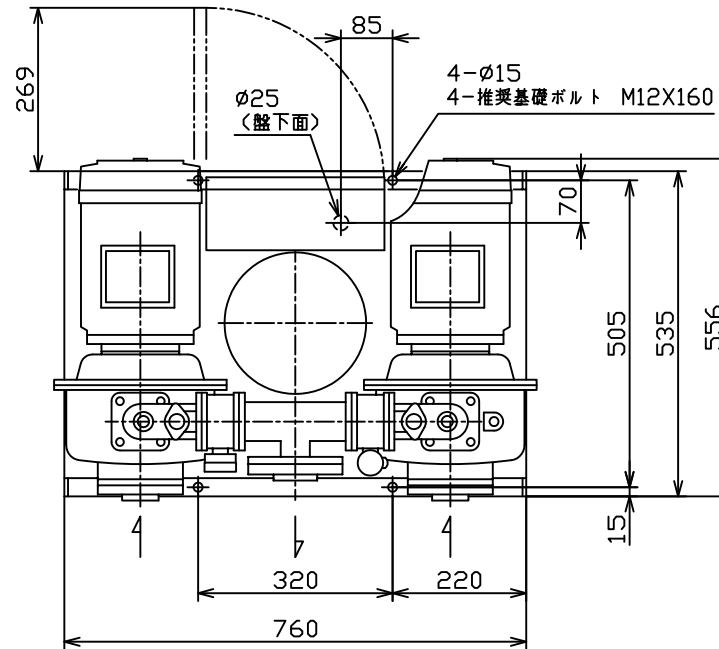


KB2-405PE3.7
 (VC41,42,43,44,47)



(制御盤正面図)

