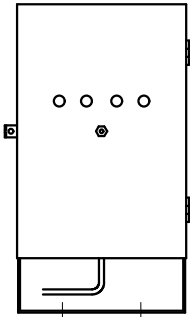
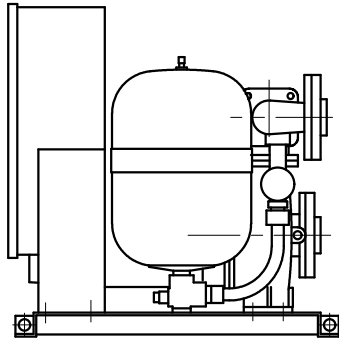
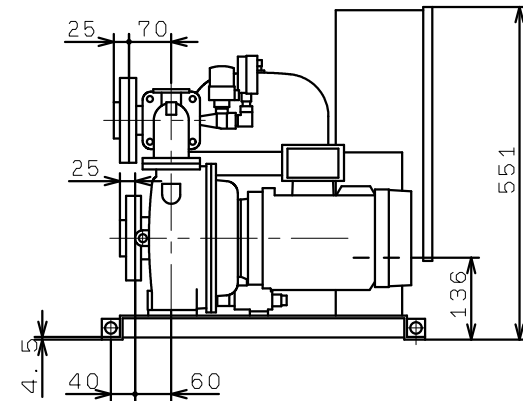
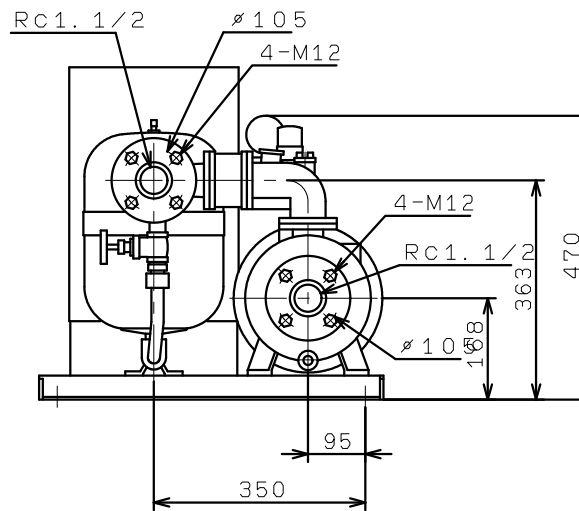
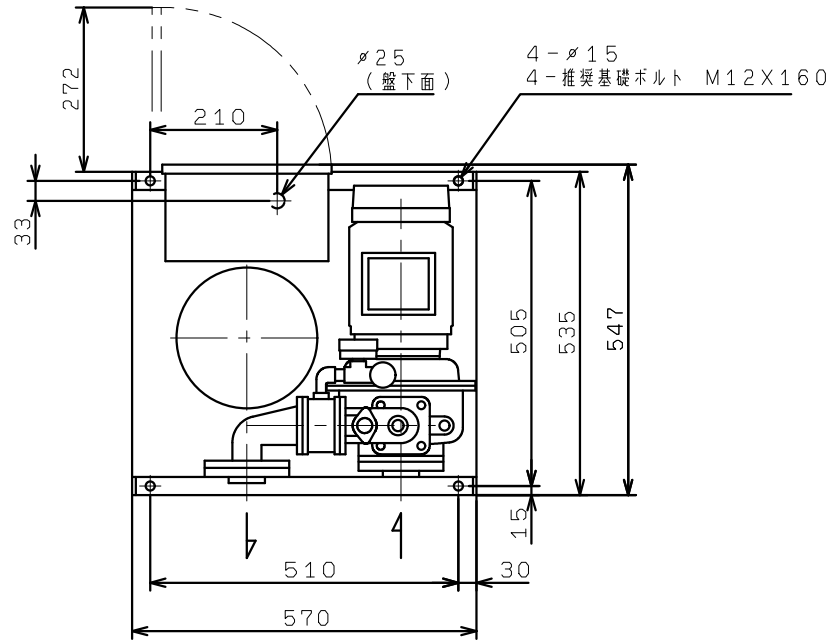


KB2-405SE1.5  
 KB2-406SE1.5  
 (VC42, 43, 44)



(制御盤正面図)