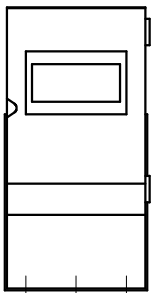
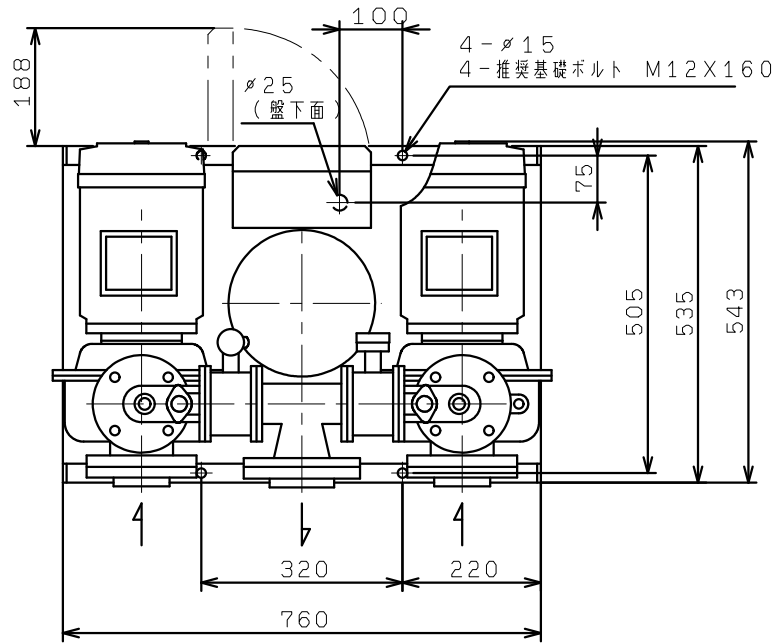


KB2-655P3.7  
 KB2-656P3.7  
 (標準, VC40, 94)



(制御盤正面図)

