

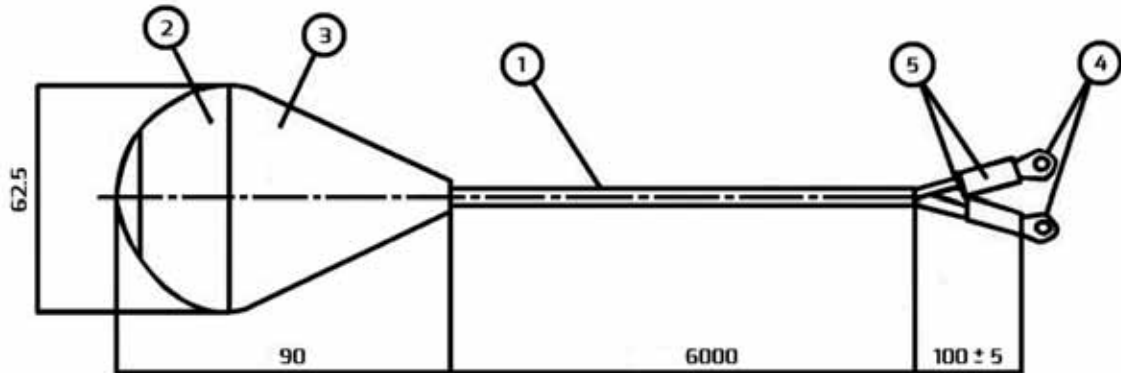
EHFR-1x6S

**KAWAMOTO
MINI-FLOAT SWITCH
LEAD SWITCH TYPE**



SECTION VIEW - DRAWING DIMENSION

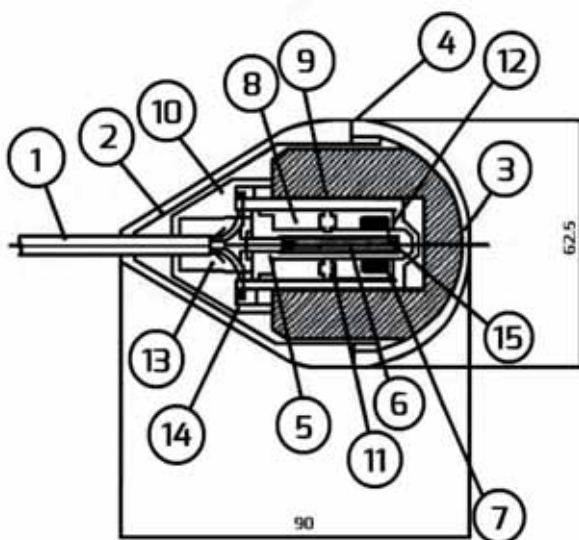
■ DIMENSION



No.	Parts name	Remarks	Q'ty
1	Power cable	CVF 2x0.2 mm ²	1
2	Float head	Orange	1
3	Float body	Orange	1
4	Terminal	FV1.25-M4	2
5	Tube	Ø5x15	2

Note : Weight is special accessories.

■ STRUCTURE



No.	Parts name	Remarks
1	Power cable	CVF 2x0.2 mm ²
2	Float body	ABS
3	Float head	ABS
4	Float No.9	PE
5	Magnet wire	UEW
6	Lead switch	-
7	Magnet wire	Ferrite
8	Switch case No.9	POM
9	Switch case No.2	ABS
10	Switch case No.5	ABS
11	Plate No.2	ABS
12	Silicon	-
13	Epoxy	Epoxy resin
14	Terminal	Bs
15	Solder	Sn, Ag, CU